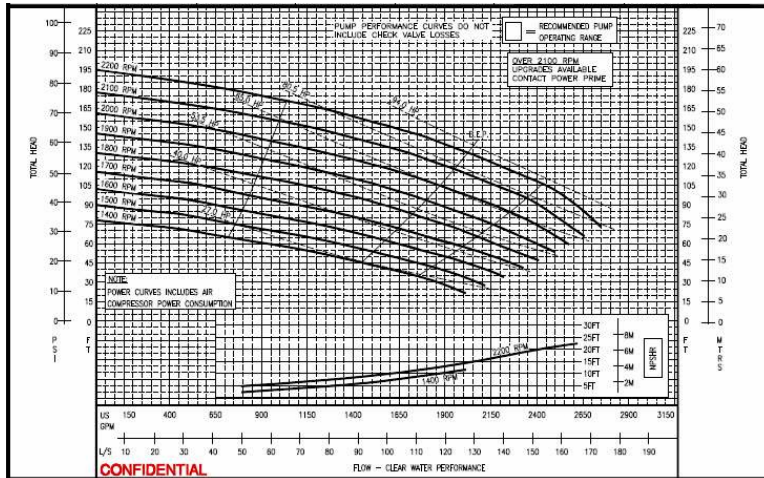


DV-150i Technical Specifications

Production Curve



Performance Specs

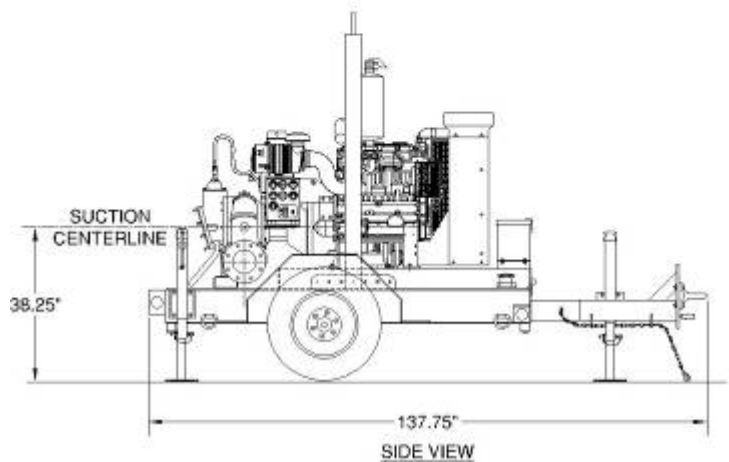
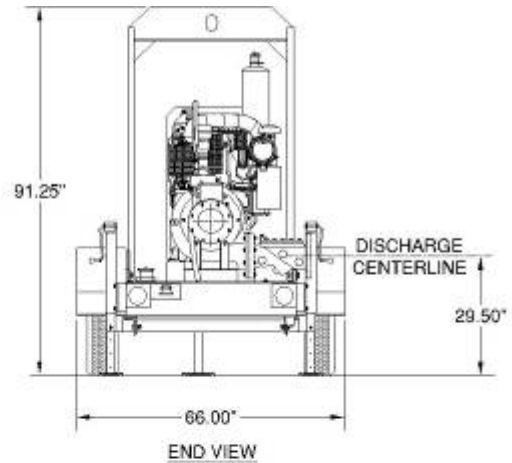
STANDARD 2 VANE IMPELLER

Minimum Operating Speed:	1400 rpm
Maximum Operating Speed:	2200 rpm
Maximum Head:	195 ft.
Maximum Flow:	2750 gpm

Design Details

Pump Designation:	DV-150i
Pump Description:	Centrifugal end suction pump, single stage, volute type, 2-vane impeller
Solid Handling Size:	Up to 3.0 inches (77mm)
Operating Temperature:	MIN: -4°F (-20°C) MAX: +212°F (+100°C)

Dimensions



POWER PRIME™ PUMPS

P.O. Box 2248
 Bakersfield CA 93303
 800 647-7246
 661-399-9058
 FAX 661-399-3374
www.powerprime.com
 sales @ powerprime.com

Power Prime™ is a registered trademark of Western Oilfields Supply Company. Features and Specifications are subject to change without notice.