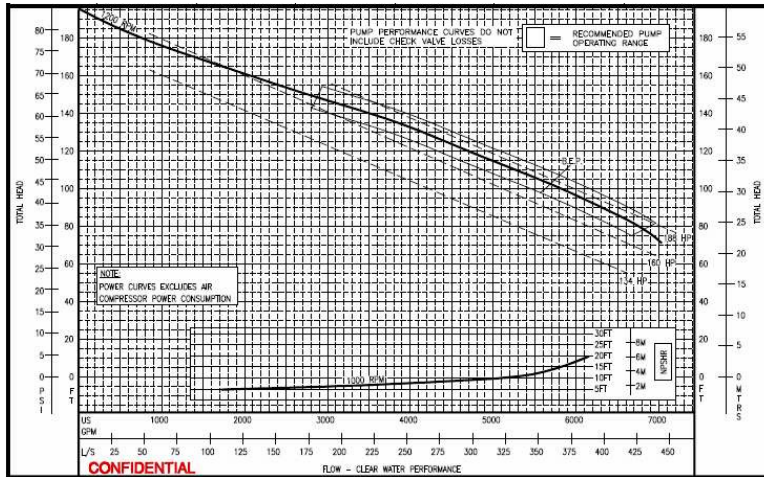


DV-300iE Technical Specifications Production Curve



Performance Specs

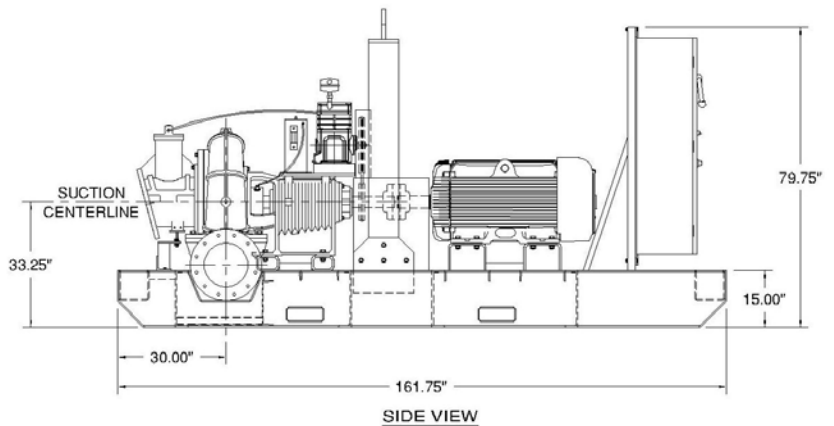
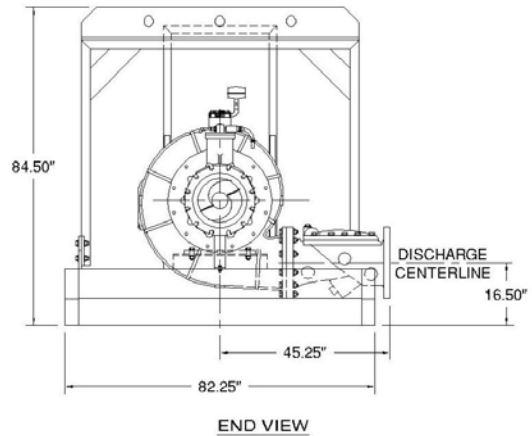
STANDARD 3 VANE OPEN IMPELLER

Maximum Operating Speed:	1185 rpm
Maximum Head:	197 ft.
Maximum Flow:	6,900 gpm

Design Details

Pump Designation:	DV-300iE
Pump Description:	Centrifugal end suction pump, single stage, volute type, 3 vane fully open impeller
Solid Handling Size:	3.5 inches (90mm)
Operating Temperature	MIN: -4°F (-20°C) MAX: +176°F (+80°C)

Dimensions



POWER PRIME™ PUMPS

P.O. Box 2248
Bakersfield CA 93303
800 647-7246
661-399-9058
FAX 661-399-3374
www.powerprime.com
sales @ powerprime.com

Power Prime™ is a registered trademark of Western Oilfields Supply Company. Features and Specifications are subject to change without notice.