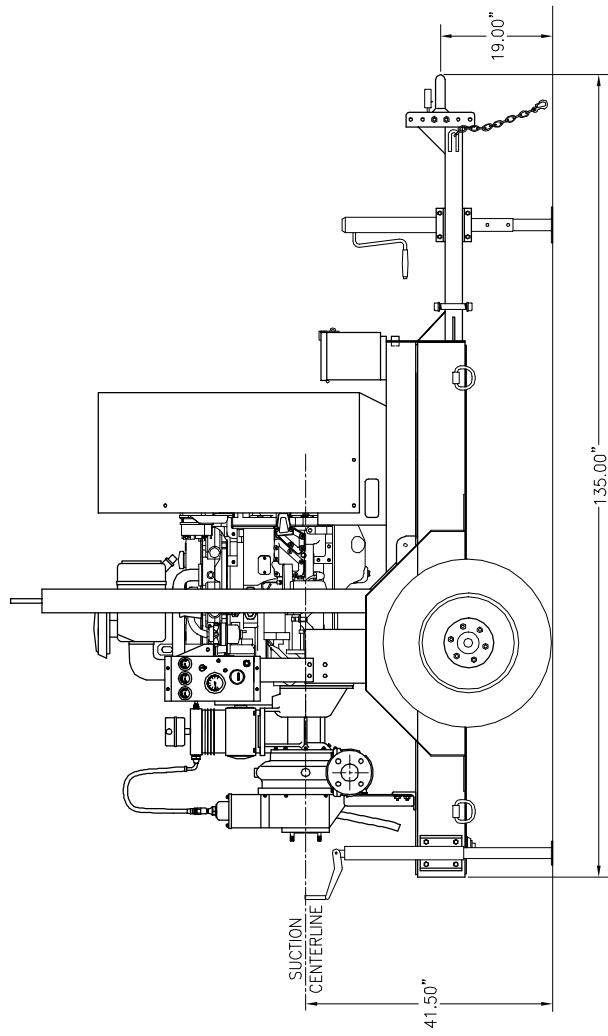
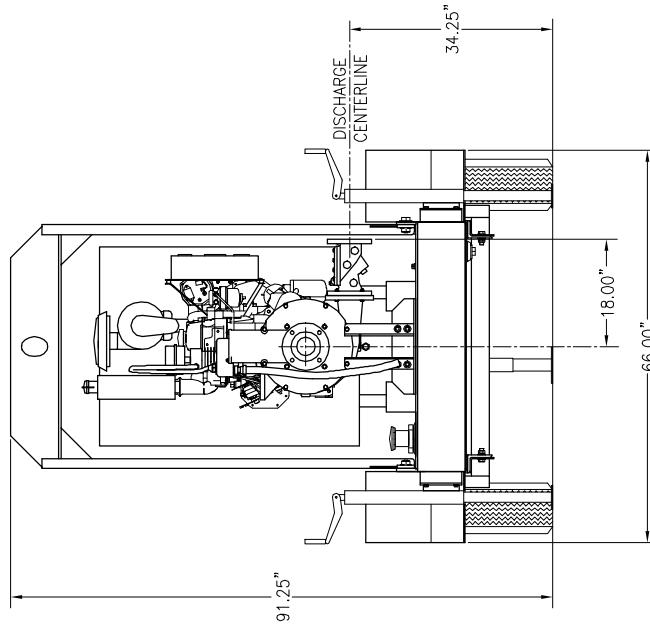


REV. NO.	DESCRIPTION	PREVIOUS DWG.	BY	DATE
1	CHANGED TITLE BLOCK AND FILE NUMBER	989003P	RAR	03/20/04

SUCTION = 3" - 150LB. FLANGE  
DISCHARGE = 3" - 150LB. FLANGE  
SHIPPING WEIGHT = 3660LBS. (EMPTY FUEL TANK WEIGHT)  
FUEL TANK CAPACITY = 120 GALLONS



SIDE VIEW



REAR VIEW

DATE:	9/9/98
SCALE:	NTS
DESIGNED BY:	
CHECKED BY:	
DRAWN BY:	RAR

ALL INFORMATION CONTAINED IN OR  
DERIVED BY THE DOCUMENT IS  
CONSIDERED CONFIDENTIAL AND  
PROPRIETARY BY POWER PRIME PUMPS.  
ALL REPRODUCTIONS OF THIS INFORMATION  
AND REPRODUCTION OF THE DOCUMENT  
AND ALL SALES RIGHTS ARE EXCLUSIVELY  
RESERVED BY AND TO POWER PRIME  
PUMPS AND CONSENTATION OF THIS  
INFORMATION TO OTHERS IS PROHIBITED  
WITHOUT THE WRITTEN CONSENT OF  
POWER PRIME PUMPS.

**POWER PRIME PUMPS**  
3404 State Road, PO Box 2248  
Bakersfield, CA 93303

CONCEPTUAL DRAWING  
INDUSTRIAL PUMP

**HH-80**  
**GP-120/JOHN DEERE 4045D**

1	1
304062	3031217