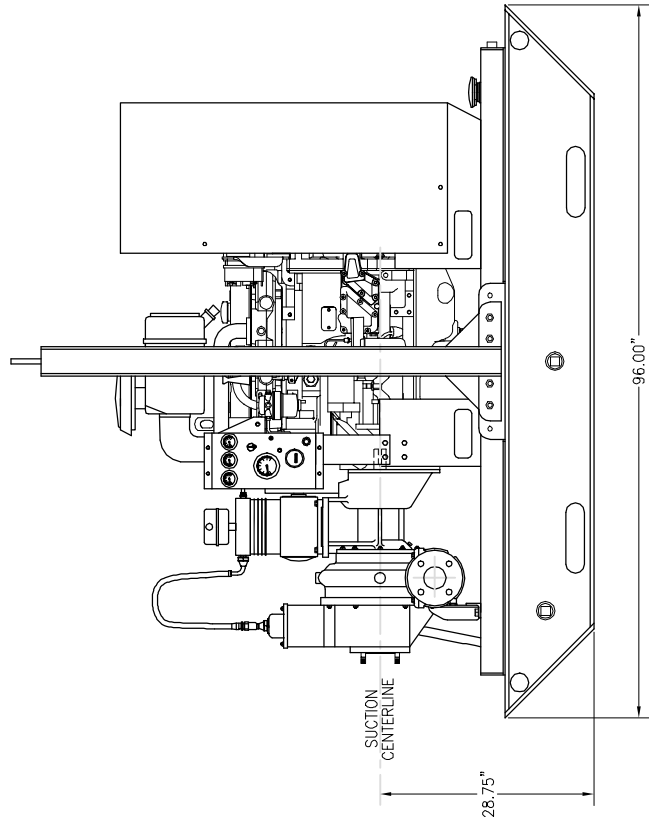
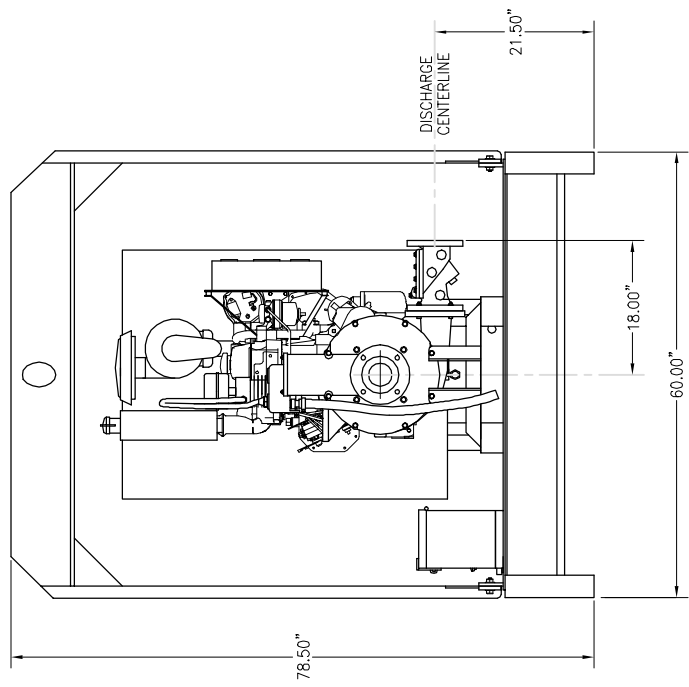


REVNO.	ADDED TO POWER PRIME DATABASE	DESCRIPTION	PREVIOUS DWG	BY	DATE
1			00501P	MS	06-04-2003

SUCTION = 3" - 150LB. FLANGE  
DISCHARGE = 3" - 150LB. FLANGE  
FUEL TANK CAPACITY = 120 GALLONS



SIDE VIEW



REAR VIEW

SITE:	06-04-2003
SCALE:	NTS
DESIGNED:	
CHECKED:	
APPROVED:	R.ROGERS

ALL INFORMATION CONTAINED IN OR REFERENCED BY THIS DOCUMENT IS THE PROPERTY OF POWER PRIME PUMPS. ALL RIGHTS OF INVENTION AND ALL SALES RIGHTS ARE EXCLUSIVELY RESERVED BY AND TO POWER PRIME PUMPS AND COMMUNICATION OF THE INFORMATION IS STRICTLY PROHIBITED WITHOUT THE PRIOR WRITTEN CONSENT OF POWER PRIME PUMPS.

**POWER PRIME PUMPS**  
3404 State Road, P.O. Box 2248  
Bakersfield, CA 93303

CONCEPTUAL DRAWING  
INDUSTRIAL PUMP

**HH-80**  
**SK-120/JOHN DEERE 4045D**

1	1
303251	
3030501	