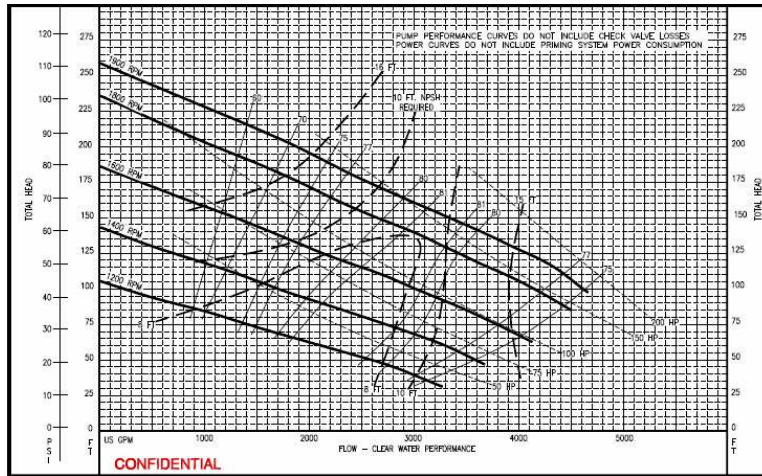


SA-DV200C Technical Specifications

Production Curve



Performance Specs

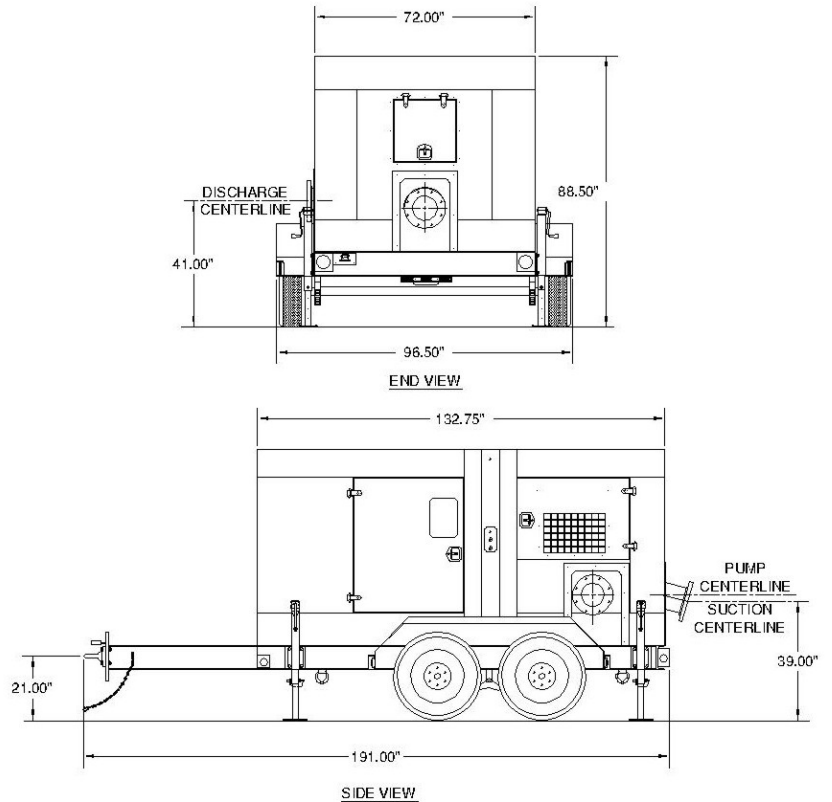
2 VANE NON-CLOG IMPELLER

Minimum Operating Speed:	1600 rpm
Maximum Operating Speed:	1900 rpm
Maximum Head:	260 ft.
Maximum Flow:	4600 gpm

Design Details

Pump Designation:	SA-DV200C
Pump Description:	Centrifugal end suction pump, single stage, volute type, 2 vane non-clog impeller
Noise Levels	Quiet operation with noise levels as low as 72 dB(A) at 7m (23ft)
Solid Handling Size:	Up to 3.375 inches (45mm)
Operating Temperature	MIN: -4°F (-20°C) - MAX: +212°F (+100°C)

Dimensions



POWER PRIME™ PUMPS

P.O. Box 2248
 Bakersfield CA 93303
 800 647-7246
 661-399-9058
 FAX 661-399-3374
www.powerprime.com
sales@powerprime.com

Power Prime™ is a registered trademark of Western Oilfields Supply Company. Features and Specifications are subject to change without notice.