



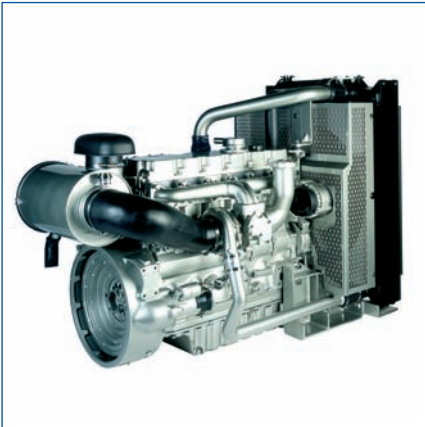
1100 Series

1106D-E66TA

Industrial Open Power Unit

151 kW (202 hp) @ 1800 rev/min

151 kW (202 hp) @ 2200 rev/min



Powered by Your Needs

The Perkins 1106D-E66TA IOPU range offers a choice of ratings and standard build configurations to match the power needs of customers for a diverse range of applications.

State of the Art Design

The Perkins 1106D utilises proven components of Caterpillar ACERT™ technology. This provides excellent fuel economy and low heat rejection.

Worldwide Power Solution

The 1106D has been designed to be worldwide fuel tolerant, including kerosene, jet aviation fuel and 5% biofuel (RME). Options are available to meet local market needs.

World Class Product Support

At Perkins we are constantly researching, developing and investing in our products and services. Total worldwide support is provided through a network of 4000 distributors and service outlets, providing access to over 50,000 parts and exchange units 24 hours a day, 365 days a year. This support is enhanced by TIPSS (The Integrated Parts and Service System). TIPSS enables customers to electronically specify and order parts as well as service 1106D engines with online guides and service tools.

Lower Operating Costs

The 1106D maintains Tier 2 / Stage II fuel economy. Service intervals are set at 500 hours as standard and Perkins provides comprehensive warranty cover for 2 years (up to 3000 hours), with 3 years on major engine components. A low usage warranty package is also available.

Long Term Power Solution

The 1106D IOPU range has been designed to fully comply with stringent EPA Tier 3 / EU Stage IIIA emissions regulations for mobile applications, providing an emissions compliant power solution for the future.

Compliant to Tier 3 / Stage IIIA emissions, the 1106D-E66TA is the latest addition to the common platform concept of 1100 Series diesel engines. Assembled on a new high technology production line, this ultra-clean engine will provide a superior replacement for the 1106C-E60TA Tier 2 / Stage II engine. Frequent computerised checks during the production process ensure high build quality excellence is maintained.

The new engine boasts considerable increases to delivered power, torque and noise reduction. These have been achieved through changes to the manifold and combustion areas, turbocharger geometry, increased cylinder displacement and significantly, the inclusion of a high pressure, common rail fuel system. This new engine incorporates proven components of Caterpillar ACERT™ technology.

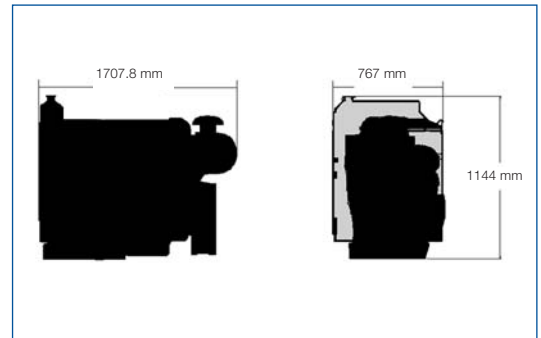
Perkins new 1106D-E66TA IOPU range has a complete fuel system, air cleaner and cooling pack supplied as standard. Choice is provided to customers through the availability of a large variety of standard specifications incorporating a choice of fan, alternator, front PTO, and air compressor.

1100 Series

1106D-E66TA

Engine Specification

- Mounted air filter and turbocharger
- Fan (pusher or puller)
- Fan drive
- Radiator
- Water pump
- Alternator (12 or 24 volt)
- Starter motor (12 or 24 volt)
- Flywheel
- SAE 2 flywheel housing
- Fuel cooler
- Fuel filter
- Oil cooler and filter
- Timing case oil filler
- Engine mounting brackets
- SAE A or SAE B front PTO (142/280 Nm)
- Glow plugs



General Data

Number of cylinders	Vertical in-line 6 cylinder
Bore and stroke	105 mm x 127 mm
Displacement	6.6 litres
Aspiration	Turbocharged air-to-air aftercooling
Cycle	4 stroke
Combustion system	Direct injection
Compression ratio	16.2:1
Rotation	Anti-clockwise viewed on flywheel
Cooling system	Water
Dimensions	Length 1707.8 mm Width 767 mm Height 1144 mm
Dry weight	709 kg
Wet weight	752 kg

Height is above mounting feet. Length includes a fitted air cleaner
Final weight and dimensions will depend on completed specification

Option Groups

The 1106D-E66TA IOPU range offers a wide choice of standard build specifications to meet specific customer needs:

- 12 or 24 volt alternator
- Pusher or puller fan
- SAE A or SAE B front PTO (142/280 Nm)
SAE B provides 63 kW/85 hp
- Air compressor

Rating	Net Intermittent* kW (hp)	Maximum Torque (Nm)
151 kW (202 hp) @ 1800 rpm	143 (191.8)	922
151 kW (202 hp) @ 2200 rpm	136.8 (183.5)	922

*Intermittent service: maximum power and/or speed are cyclic (time at full load not to exceed 50%)



Perkins Engines Company Limited

Peterborough PE1 5NA
United Kingdom
Telephone +44 (0)1733 583000
Fax +44 (0)1733 582240
www.perkins.com

Distributed by