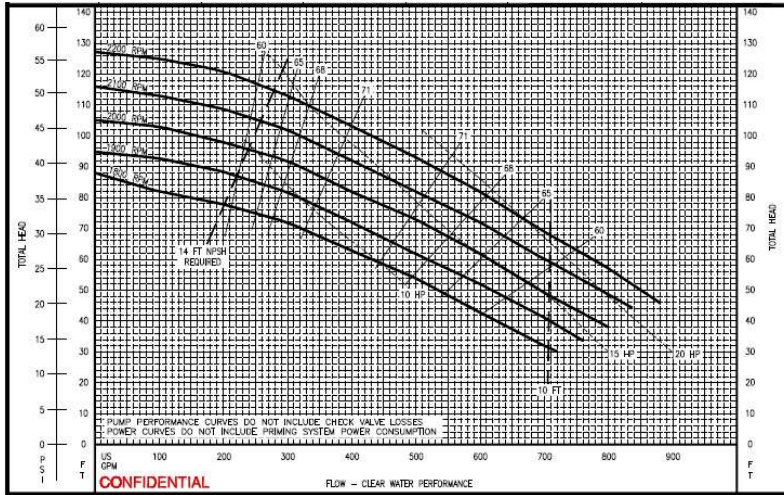


DV-80C Technical Specifications

Production Curve



Performance Specs

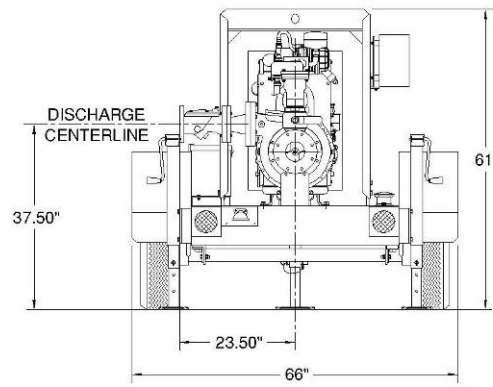
2 VANE NONCLOG IMPELLER

Minimum Operating Speed:	1800 rpm
Maximum Operating Speed:	2500 rpm
Maximum Head:	165 ft.
Maximum Flow:	950gpm

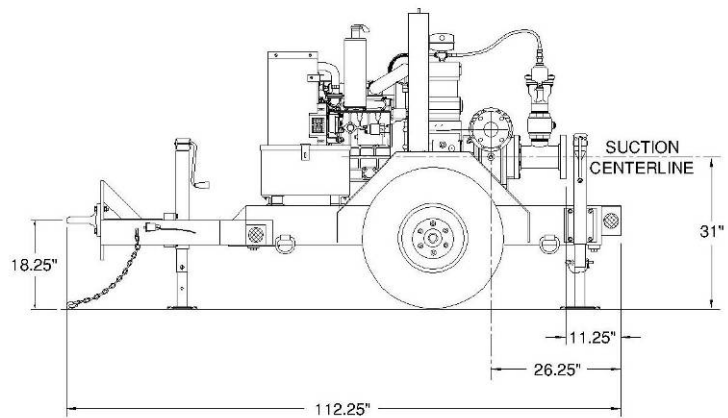
Design Details

Pump Designation:	DV-80C
Pump Description:	Centrifugal end suction pump, single stage, volute type, 2 vane non-clog impeller
Solid Handling Size:	Up to 3 inches (76.2mm)
Operating Temperature	MIN: -4°F (-20°C) - MAX: +212°F (+100°C)

Dimensions



REAR VIEW



SIDE VIEW



POWER PRIME™ PUMPS

P.O. Box 2248
 Bakersfield CA 93303
 800 647-7246
 661-399-9058
 FAX 661-399-3374
 www.powerprime.com
 sales @ powerprime.com

Power Prime™ is a registered trademark of Western Oilfields Supply Company. Features and Specifications are subject to change without notice.