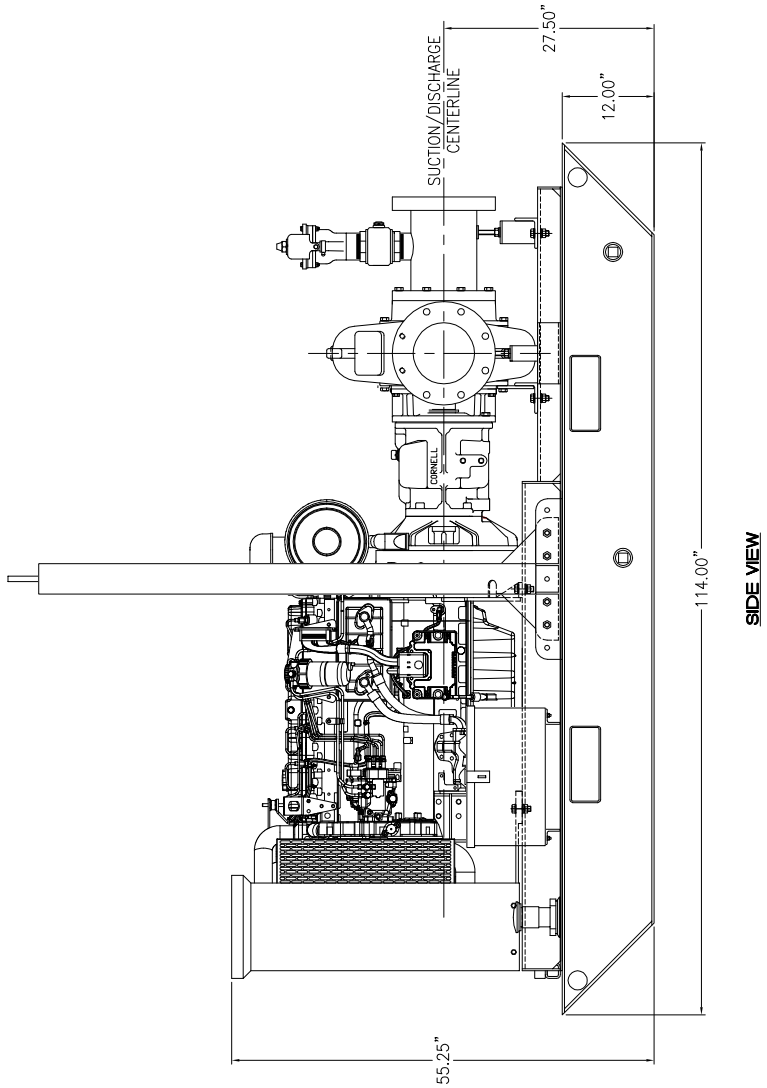
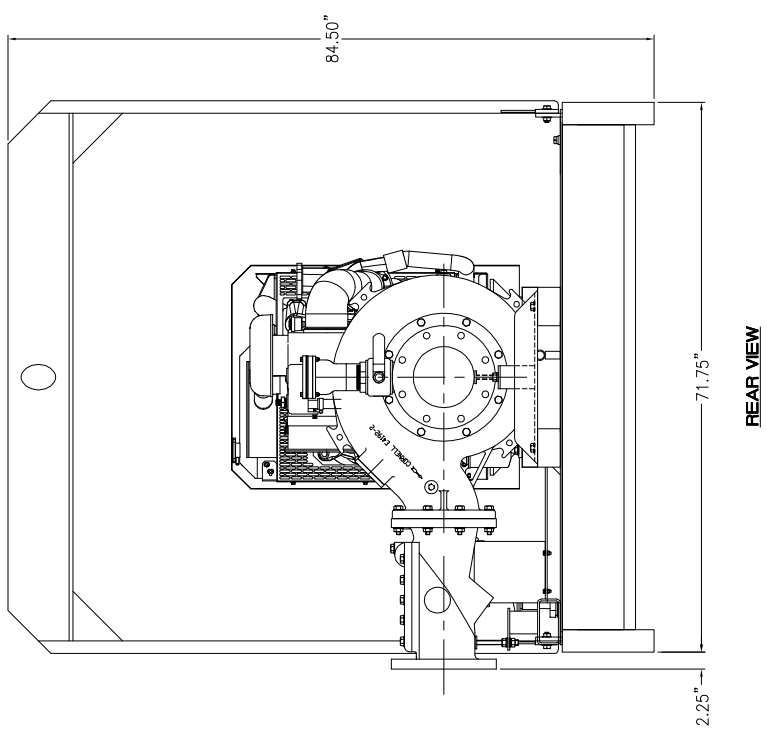


REV. NO.	DESCRIPTION	BY	DATE

SUCTION = 8" - 150LB. FLANGE
DISCHARGE = 8" - 150LB. FLANGE
FUEL TANK CAPACITY = 190 GALLONS



DATE: 10/27/05
SCALE: NTS
DESIGNER:
CHECKER:
DRAWN: RAR

ALL INFORMATION CONTAINED IN OR
REVEALED BY THIS DOCUMENT IS
CONSIDERED CONFIDENTIAL AND
PROPERTY OF POWER PRIME PUMPS.
ALL SPECIFICATIONS OF DESIGN INFORMATION
AND REPRODUCTION OF THIS DOCUMENT
AND ALL SALES RIGHTS ARE EXCLUSIVELY
RESERVED BY AND TO POWER PRIME
PUMPS AND COMMUNICATION OF THIS
INFORMATION TO OTHERS IS PROHIBITED
WITHOUT THE WRITTEN CONSENT OF
POWER PRIME PUMPS.

**POWER
PRIME
PUMPS**
3404 State Road, PO Box 2248
Bakersfield, CA 93302

CONCEPTUAL DRAWING
INDUSTRIAL PUMP

DV-200C
SK-190. PERKINS 1106C-E60TA

1 OF 1
DRAWING NUMBER: 3051112
JOB NUMBER: 30511006